

Auto Tracking Maritime Satellite Communication Antenna

VSAT

- Small, lightweight and well integrated
- Easy to setup and use
- Automatic satellite acquisition
- Full Ku-Band support
- 3-Axis stabilized and 4-Axis tracking



KM-P6E

Designer and Manufacturer of Maritime Satellite Antennas

Kingsat is focused on designing, development, manufacturing and distributing maritime automatic satellite tracking antennas. Kingsat is aiming to provide perfectly matching solutions for TV and Internet via satellite while at sea.

Cost-effective and Powerful Ku-band VSAT

Kingsat's innovative KM-P6E is the perfect terminal for the smaller vessel with space constraint. With its 3-axis stabilization platform, the KM-P6 offers superior tracking performance and provides always-on service with the high quality and reliability.

Easy to Setup and Use

KM-P6E is user friendly design allows operators with little satellite experience to access internet services within minutes, it is designed for simplicity sufficing with minimal cables, and the IP-enabled antenna control unit provides convenient user interface.

Open System and Full Ku-Band Support

Kingsat VSAT are open systems compatible with various modems such as iDirect, Satnet, Hughes, UHP, Gilat ,STM, etc., and provide full Ku-band coverage.

Mechanical Specification

Dish Diameter:	64 cm (25")
Weight:	43.5KG (96lbs) (including ACU, LNB and 6W BUC)
Radome Size:	78 X 80 cm (31" X 31.5")
Radome Material:	ASA

Antenna Stabilization

Operating Platform:	3-Axis + Auto Skew
Azimuth Range:	0° to 690°/Unlimited
Elevation Range:	-10° to 115°
Cross Level Range:	± 30°
Skew Range:	Automatic, 0° to 240°
Position Acquisition:	Built in Gyro
Ship Motion Support:	Roll: ± 20° @8-12 sec Pitch: ± 10° @6-12 sec Yaw: ± 8° @15-20 sec
Tracking Accuracy:	Automatic tracking level ≤ 1.0dB (R.M.S)

Operating Specification

Rx Frequency:	10.70 ~ 12.75 GHz
Rx Gain:	36dBi@12.5GHz
Tx Frequency:	13.75 ~ 14.5 GHz
Tx Gain:	37.2dBi@14.25 GHz
G/T:	15.0dB/K (Clear Sky, 30° Elevation)
POL:	Cross-pol only
Cross Pol Isolation:	≥30 dB
LNB:	Universal, PLL LNB
BUC:	6W (4W/8W option)

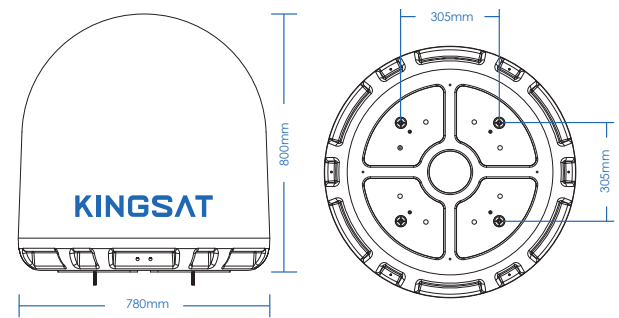
Antenna Control Unit

Dimensions (WxDxH):	48.2 X 30 X 4.5 cm
Weight:	3 kg
Display:	256 X 64 OLED
Modem Interface:	Ethernet Port/RS-232C
Modem Protocol:	Open AMIP
Management Port:	Need
LAN Port:	Need
Power requirement:	100-230VAC 50-60Hz
Modem Support:	IDirect, Gilat, Hughes, SatPath, UHP, Newtec (Other Modems can be required to match)

Working Environment

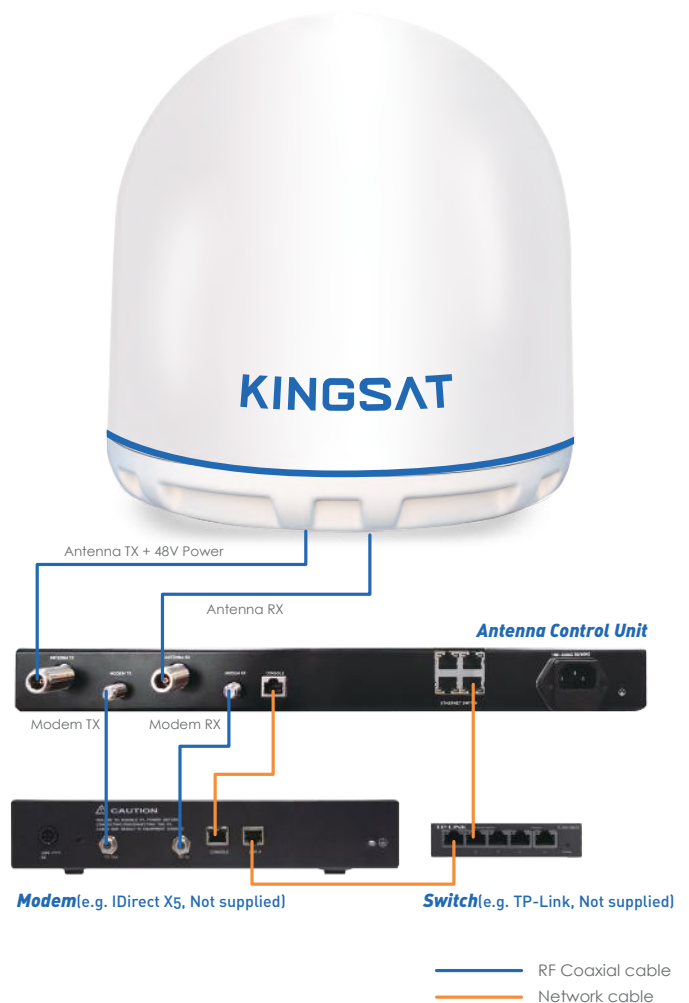
Operating Temperature:	-25° ~ 55°C
Storage Temperature:	-30° ~ 85°C
Humidity:	Up to 100% @ 40°C
Wind Speed:	60m/sec max from any direction
Water Proof:	IP56

Radome Dimension



Cable Connection Diagram

VSAT KM-P6E



KINGSAT

Maritime Antennas

Address: Block A, 2 Jisheng Road., Nansha District,
Guangzhou, PRC., 511455
Phone: +86-20-28662868
E-mail: sales@kingsat-tech.com
Web: www.kingsat-tech.com www.eardatek.com